



Description:

The centrifugal AC4 humidifier is operating with adiabatic effect : it transforms water into a very fine mist which is immediately absorbed by the air. This method allows to humidify and cool at the same time.

It can be easily installed on a level surface.

All these features, with simple and robust construction, make this humidifier ideal for a variety of applications.

Specifications

| Specifications | |
|-------------------|-----------------------|
| Dimensions | 310x310x480 mm |
| Weight | 7Kg |
| Power supply | 230V/50Hz |
| Power consumption | 70W |
| Humidity capacity | Up to 4.5l/h |
| Coverage | 100-150m ² |
| Colour | White |

AC4

Instructions for use

- Maximum permissible water pressure in Pascal : 0,5MPa

****Caution****

- If the mains cord is damaged, it must be replaced by the manufacturer or a similarly qualified person in order to avoid a hazard.
- Unplug device before any handling .

****Water connection****

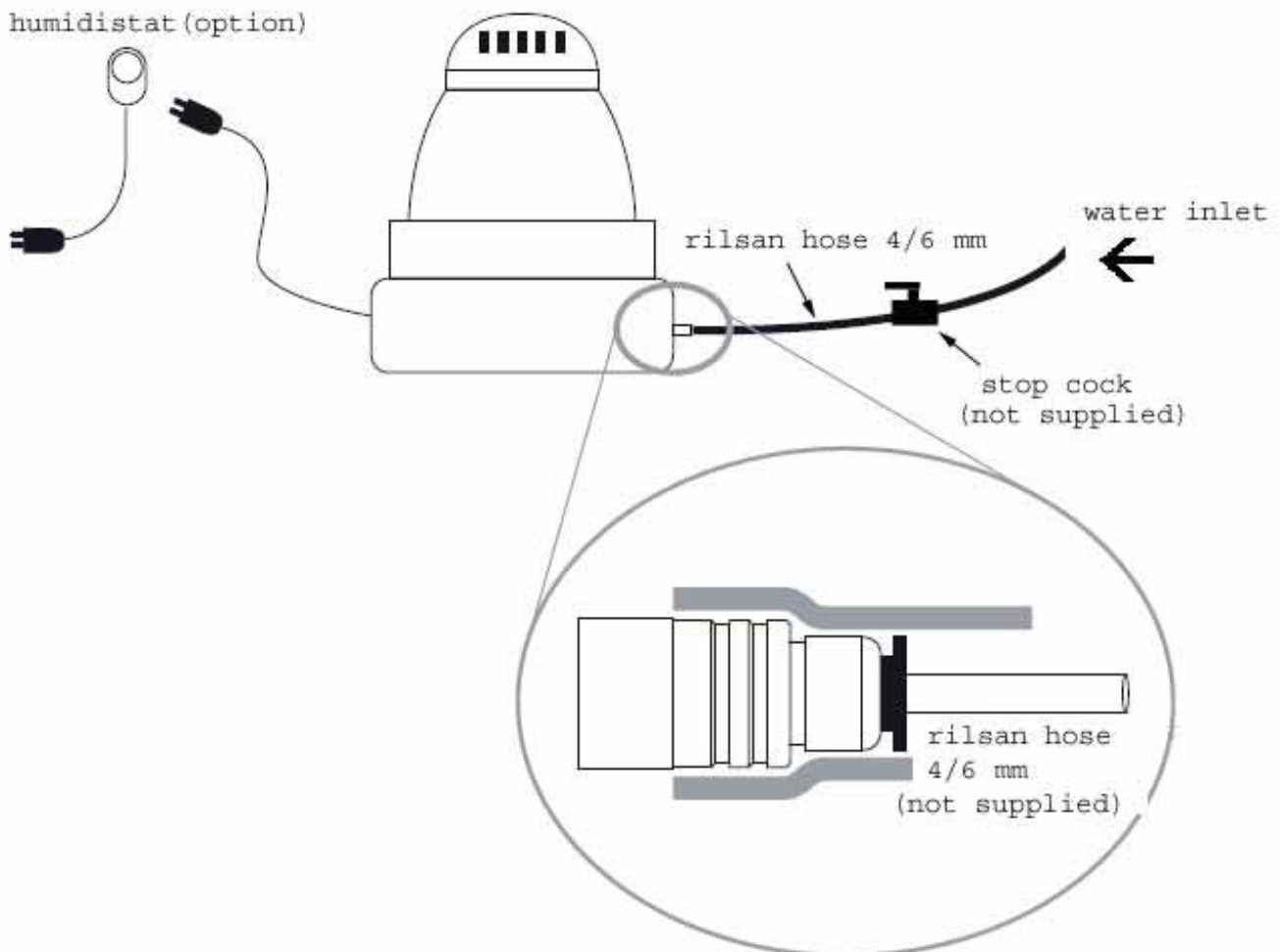
Place the unit on a level surface, such as a benchtop or floor. In an environment with little to no ventilation, place the unit in a central position. In a ventilated area, place unit near the intake end. Then, connect a water supply to a 6mm female inlet.

****Power connection****

Plug the unit directly into an electrical outlet for evaluation. Listen for a smooth, quiet operation. Motor shaft should be centered and vertical. Make any necessary adjustments. After evaluation, connect AC4 to desired control device as you see options below;

- Connect a humidistat for better control
- Connect a timer if the device is to be used from time to time.

Connection example



****Operation****

WARNING : designed for atomizing water only !!! Don't use in any case flammable, toxic or corrosive liquids.

- Operating the unit with the fogging head will provide directionnal fogging output and a drier fog.
- For a maximum fogging and circulation, operate unit without the lower housing as well as upper housing and fogging head. Fog will propel from 35 to 50 cm above unit.

****Troubleshooting****

No Fog

Check for motor rotation. If the motor is operating properly, check for an adequat amount of water in the pan (1 to 3 cm). If the pan runs dry, the float valve may be sticking in the up position. If so, the inlet water pressure must be reduced. If the water supply is adequat, check the tapered pump for internal calcium build-up. Remove, inspect and clean as needed.

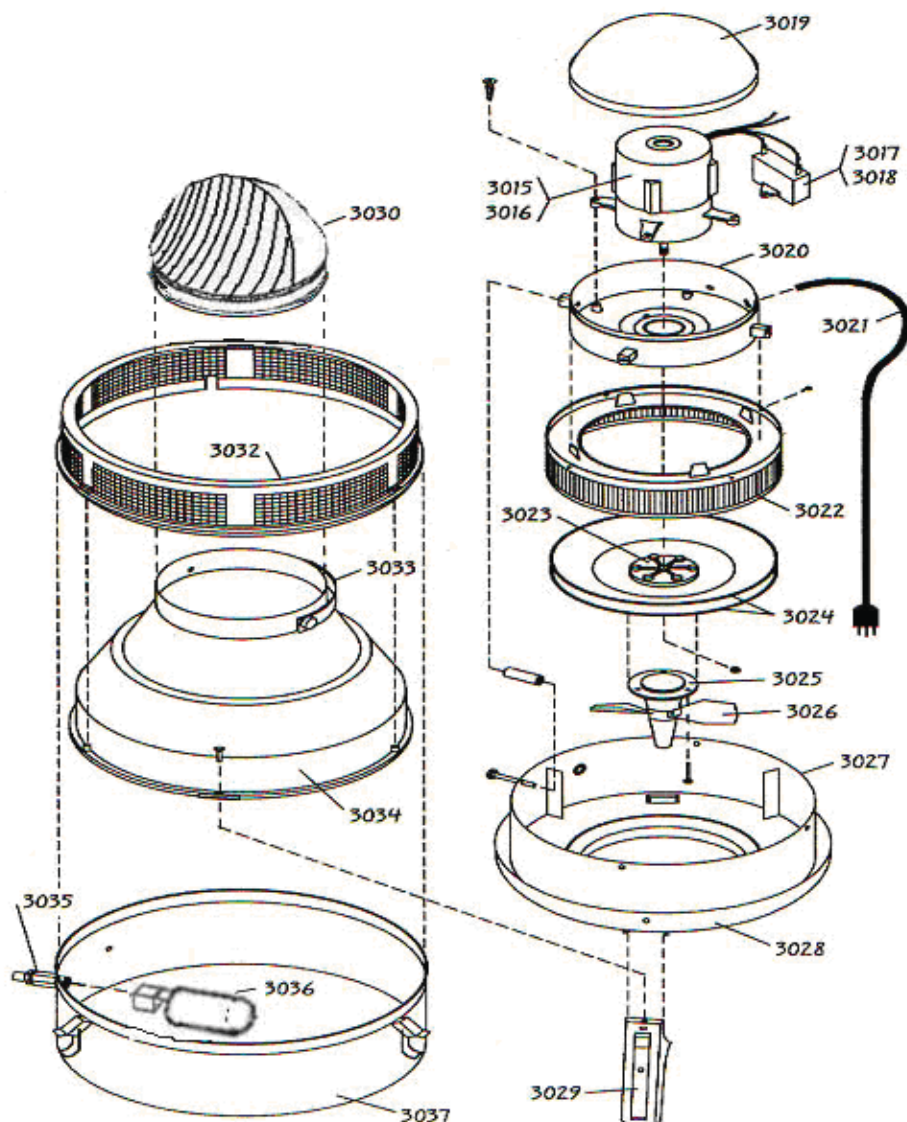
Overflowing Pan

An overfilled pan can cause poor quality of fog and wetness around the unit. A leaky float valve or a float that has filled with water may be the problem. To check the float, raise it out of the water and visually inspect it. No water should be inside and it should not sink. If OK, then check for a leaky valve. Turn water off and remove the fogger from the pan. Empty the pan and towel dry. Hold the float in the up position and turn the water on. If the water fills the pan while the float is in the up position, the float valve needs being replaced.

****Maintenance****

- Check and clean atomizing screen and filter
- Regularly clean the reservoir pan assembly with soap and water to remove dirt and sediment. Use liquid bleach after cleaning to sterilize any parts.
- Periodically remove strainer screen and thoroughly flush with water. Also check to make sure the pump assembly is free of debris.
- Every three months, check units for calcium build-up. If build-up deposits are present, disconnect the water and take the unit outside. Pour calcium dissolving solvent (available in local hardware stores) in pan and operate unit outside to soften and remove the deposits.
- On a yearly basis, remove the housing to check the SST Atomizing Screen to be sure the slots are clear of mineral build-up. To clean, scrub with calcium dissolving solvent.

Splitted view



| ID | Description | ID | Description |
|---------|---------------|------|------------------|
| 3015/16 | Motor | 3028 | Lower Pan |
| 3017/18 | Capacitor | 3029 | Fastener |
| 3019 | Motor cover | 3030 | Fogging head |
| 3020 | Motor Support | 3032 | Filter |
| 3021 | Cord | 3022 | Atomizing Screen |
| 3023 | Hub Assembly | 3033 | Handle |
| 3024 | Disk | 3034 | Housing |
| 3025 | Pump | 3035 | Float Valve |
| 3026 | Fan Blade | 3036 | Float |
| 3027 | Mid Pan | 3037 | Reservoir Pan |