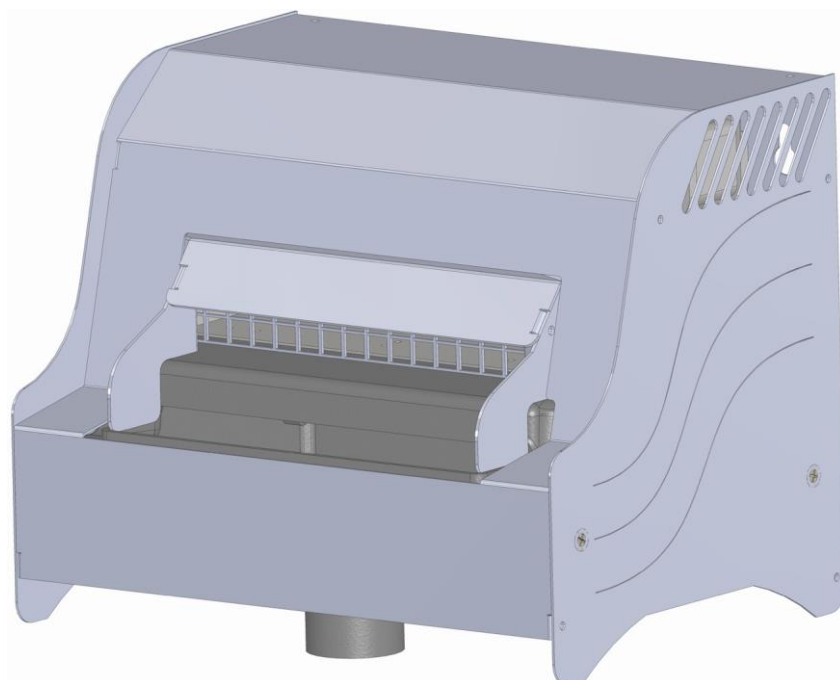




TECHNICAL MANUAL



BLOWERPACK

FAN UNIT

BLOWERPACK

Table of contents

1. SAFETY INSTRUCTIONS.....	4
1.1 INTRODUCTION	4
1.2 IMPORTANT NOTES.....	5
1.3 DECLARATION OF CONFORMITY	6
1.4 RoHS DECLARATION	6
2. PRODUCT PRESENTATION	7
2.1 FEATURES	7
2.2 IMPORTANT INSTRUCTIONS.....	7
3. INSTALLATION	8
3.1 WALL FIXING.....	8
3.2 DIRECT MOUNTING ON THE TOP OF THE HUMIDIFIER	9
3.3 REMOTE MOUNTING.....	10
3.4 CONDENSATE DRAIN & ELECTRICAL CONNECTION.....	11
4. COMMISSIONING	12
4.1 PROCEDURE FOR ENTERING YOUR ACCESS C O D E FOR ELMC HUMIDIFIERS	12
5. MAINTENANCE	13
5.1 DISASSEMBLY & CLEANING	13
6. TROUBLESHOOTING	14

BLOWERPACK

1. SAFETY INSTRUCTIONS



1.1 INTRODUCTION

You have recently purchased the BlowerPack fan unit, and we hope that you enjoy this product. Thank you for the trust you place in us.

The safety instructions contained in this manual are intended for qualified specialist personnel who are authorized to install, commission, operate and maintain the device.

To get the best results from the humidifier, we recommend to:

- Carefully read the instructions in this manual.
- Keep this manual in a safe place for future reference.
- Pass on this manual in the event of sale or transfer of the device, in order to ensure that information about it is passed on.

WARNINGS AND SAFETY SYMBOLS USED IN THE MANUAL	
	Danger! Caution. General safety instruction, the violation of which could lead to malfunctions and/or personal injury and/or material damage.
	Möbius strip. Some components of the device are recyclable, the user is responsible for their disposal. Follow the recycling recommendations adapted to the materials according to the geographical area

- If the package is damaged or missing, please make a claim to the carrier by registered letter with acknowledgement of receipt within 24 hours and make a declaration to the Devatec representative.
- Pictures, graphics and values may be subject to technical changes without notice.
- Keep this manual carefully and if you have any questions that are not answered in this manual, do not hesitate to contact us or your Devatec representative.

Our team is at your disposal!

BLOWERPACK

1.2 IMPORTANT NOTES

<p>GENERAL</p>	<p>This manual contains details of the installation, commissioning, and maintenance of the BlowerPack fan unit.</p> <p>Maintenance, servicing, repairs and the investigation of risks and hazards associated with these operations must be carried out by qualified, competent, and authorized personnel.</p> <p>Make sure that any risks or hazards, especially for work at height, are identified beforehand by an authorized person.</p> <p>We also recommend that a safety perimeter is installed. Ensure that the power supply is switched off before performing maintenance.</p> <p>Please screw all power cable terminals back on periodically.</p>
<p>INTENDED USE</p>	<p>The BlowerPack fan unit manufactured by Devatec is intended for indoor humidification use only.</p> <p>The user undertakes to use it in accordance with the safety rules set out in this documentation.</p> <p>Incorrect use could result in danger and serious damage to the user, third parties and materials.</p>
<p>CONSERVATION</p>	<p>The appliance should be stored in a dry, frost-protected place, protected from shocks and vibrations.</p>
<p>ELECTRICITY</p>	<p>The user guarantees that the electrical installation work will be carried out by a technician qualified in this field of activity. It is the responsibility of the installer to provide the correct cable cross-section and thermal-magnetic circuit breaker protection.</p>
<p>GUARANTEE</p>	<p>Devatec guarantees its devices for one (1) year.</p> <p>Devatec's liability shall be limited exclusively to the repair or replacement by Devatec of the part or product, to the exclusion of labor or other dismantling or installation costs. At its discretion, Devatec may also decide to refund the purchase price of the part or product. Failure to observe the above recommendations, additional assembly and/or transformation with components other than those supplied with the appliance or any other use other than that intended, shall be considered as non-compliance with the prescriptions and shall invalidate the warranty.</p>
<p>RESPONSIBILITY</p>	<p>Devatec accepts no liability for faulty installation or improper use of the equipment and its components.</p> <p>We endeavor to provide you with a manual that is as comprehensive as possible, however, the variations in conditions in the air handling industry are such that the information contained in this documentation may be subject to change without notice.</p>

BLOWERPACK

1.3 DECLARATION OF CONFORMITY

The devices, identified by serial numbers between 7000 and 9999, comply with the requirements of the following European directives:

2014/30/EU

2014/35/EU

TYPE OF DEVICE	Fan Unit
MODEL NAME	BlowerPack
YEAR OF MANUFACTURE	2018
BUILDER	Devatec 185 boulevard des Frères Rousseau 76550 Offranville - FRANCE

We hereby declare that the equipment specified above conforms to the guidelines mentioned at the beginning of this declaration.

FRAMBOT Jean-François

Director

16.10.2018



1.4 RoHS DECLARATION

Devatec,

Confirms that the BlowerPack fan unit is manufactured in accordance with the following European regulations:

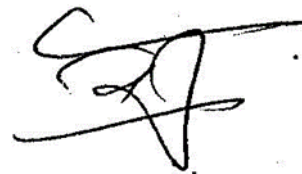
2002/95/EU (RoHS)

This regulation regulates the use of mercury, cadmium, lead (in welding processes), chromium VI as well as PBB and PBDE after 1 July 2006.

MINFRAY Jean-Marie

R&D Engineer

16.10.2018



BLOWERPACK

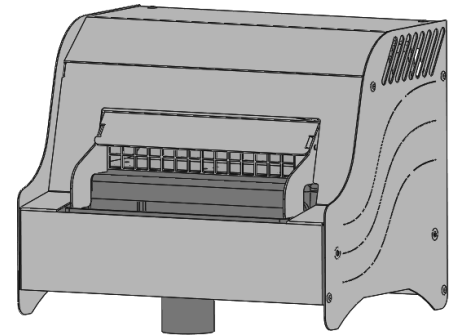
2. PRODUCT PRESENTATION

2.1 FEATURES

The BlowerPack is a fan unit for steam humidification. It can diffuse up to 33 kg/h of steam in the room.

2.2 IMPORTANT INSTRUCTIONS

- Room temperature : < 60°C
- Room humidity : < 80% Relative Humidity
- Back side: This component heats up during operation (up to 60°C). Make sure that the support of the device is not a heat-sensitive material.

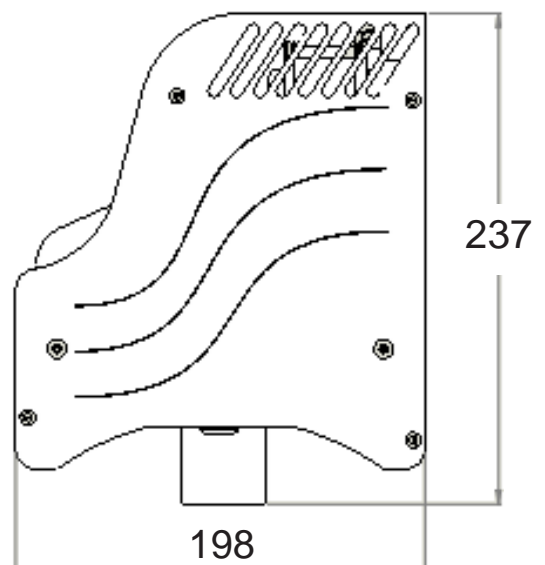
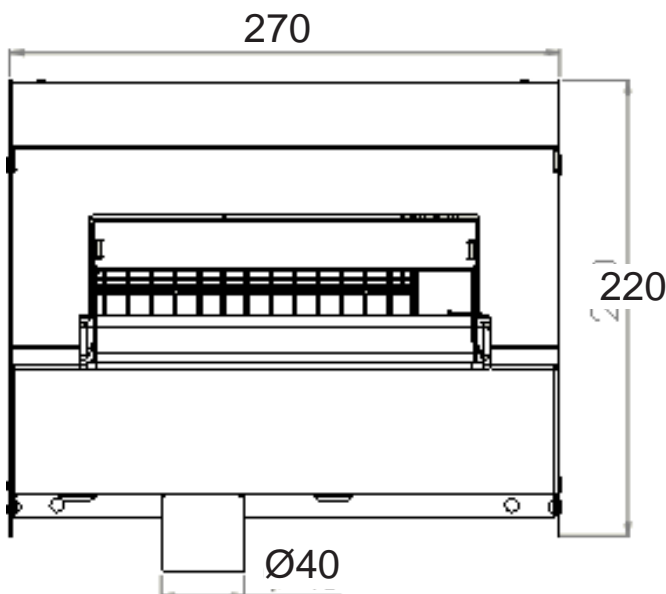


The BlowerPack fan unit is compatible with our entire range of humidifiers: ElectroVap ELMC, RTH-HC & RTH-LC.

DEVICE	Max. steam flow (kg/h)	Weight (kg)	No. of fan	db*	Power supply (V)	Power (W)	Air flow rate (m3/h)
BlowerPack - BP 10	10	3	1	30	230	30	110
BlowerPack - BP 30	33	3	1	40	230	30	160

*measured at 1m distance

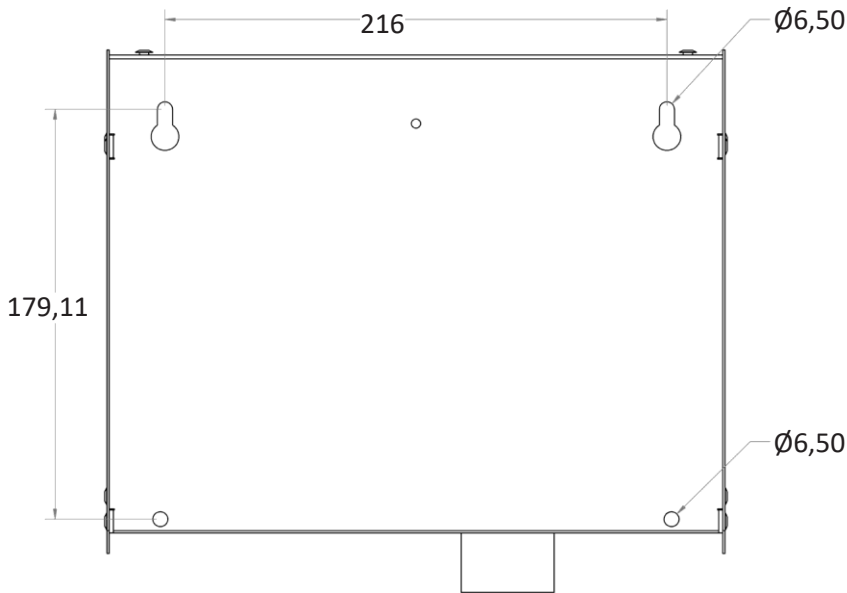
DIMENSIONS (mm) :



BLOWERPACK

3. INSTALLATION

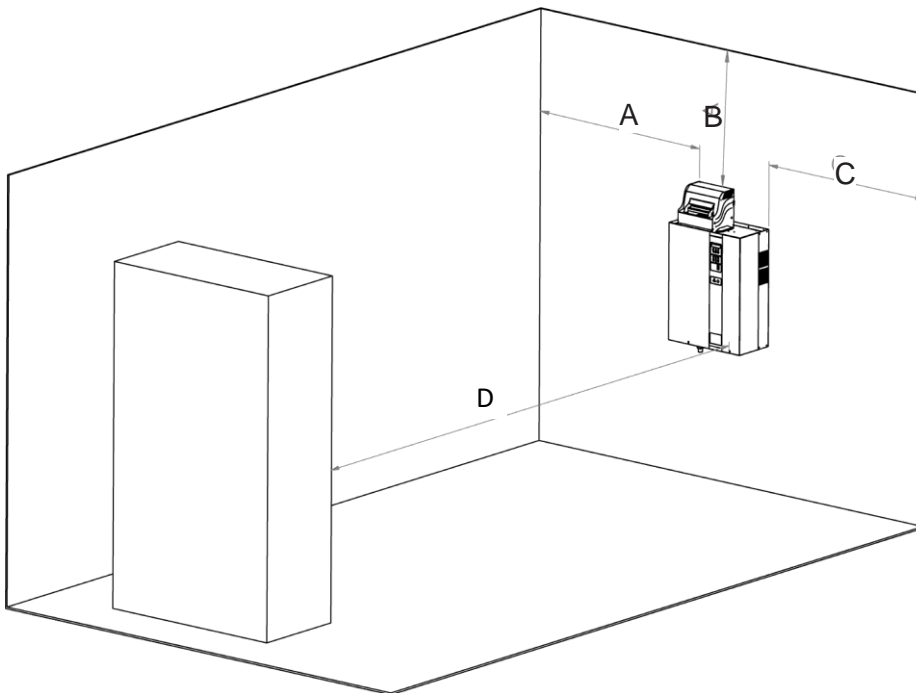
3.1 WALL FIXING



For the wall fixing :

On the back side there are two oblong holes and two fixing holes that allow you to hold the unit against a wall.

Please refer to the example below (fig. 7.1).



REFERENCE	MINIMUM DISTANCE	
	BP 10	BP 30
A	0.5 m	0.5 m
B	0.5 m	1 m
C	0.5 m	0.5 m
D	5 m	5 m

Fig. 7.2



Make sure that the distances are observed, as failure to observe the distances can result in serious injury and material damage (fig. 7.2).

BLOWERPACK

3.2 DIRECT MOUNTING ON THE TOP OF THE HUMIDIFIER

The BlowerPack can be fitted directly to the following ElectroVap humidifiers (fig. 8.1):

- ELMC 5 to 15 equipped with a small cylinder with $\varnothing 40$ outlet (silent model recommended)
- ELMC 5 to 15 equipped with a small cylinder with $\varnothing 25$ outlet (standard model, requires the use of an optional $\varnothing 40/ \varnothing 25$ reduction)
- ELMC 20 to 30
- RTH-LC 3 to 15 equipped with a tank with $\varnothing 25$ outlet (standard model, requires the use of an optional $\varnothing 40/ \varnothing 25$ reduction)
- RTH-LC 20 to 30
- RTH-HC 5 to 30 (requires optional $\varnothing 60/ \varnothing 40$ reducer)

For both mounting methods, the minimum distances indicated must be observed (fig. 7.2).

The steam connection between the cabinet and the device is made directly with a $\varnothing 40$ mm steam hose fixed with 2 clamps.

In the case of RTH-HC humidifiers, a $\varnothing 60/40$ mm adapter must be used.

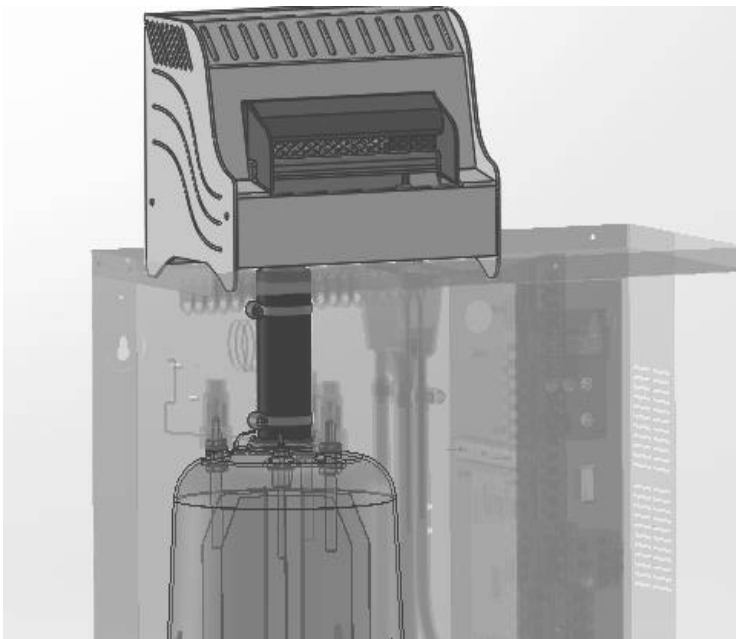


Fig. 8.1 ELMC humidifier with $\varnothing 40$ outlet cylinder and BP housing

BLOWERPACK

3.3 REMOTE MOUNTING

The BlowerPack cabinet can be offset from the humidifier (fig. 9.1), it is imperative to maintain the installation distances indicated (fig. 9.1 and 9.2).

In the case of certain applications, you will have one steam outlet for 2 fan units (fig. 9.2), it is imperative to respect a slope of 15° minimum and to balance the lengths of the steam pipes, that is to say: $X1 (3 \text{ m max}) = X2 (3 \text{ m max})$.



Support the steam hose before inserting it into the BlowerPack cabinet.

Fig. 9.1

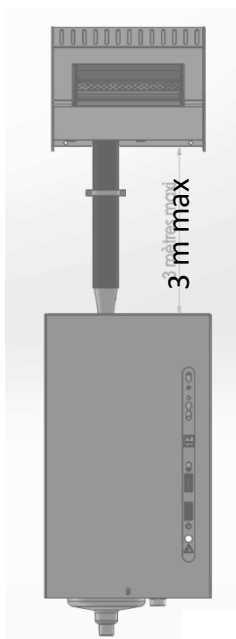
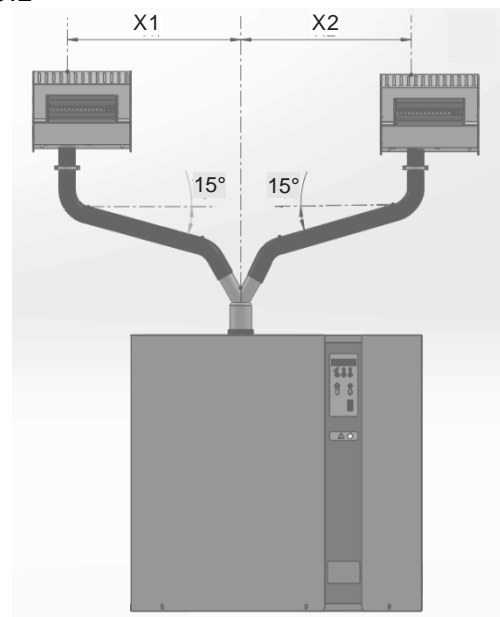


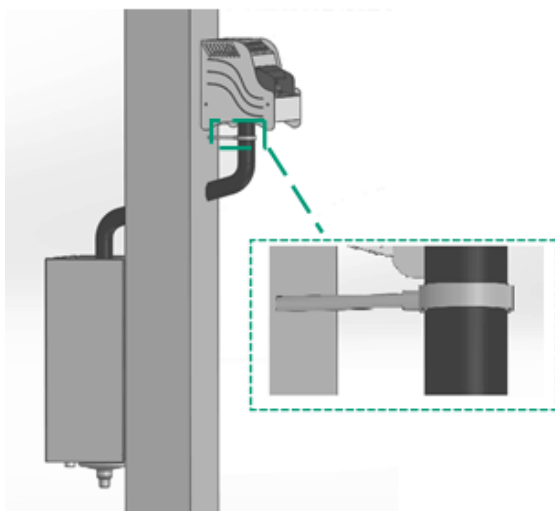
Fig. 9.2



Stainless steel Y-fitting $\varnothing 60\text{mm} - 2 \times \varnothing 40\text{mm}$
(code: DIV0019)

You can also install the cabinet in a different room from the humidifier (fig. 9.3). Please observe the maximum length of steam hose (3m) between the humidifier and the BlowerPack fan unit.

Fig. 9.3

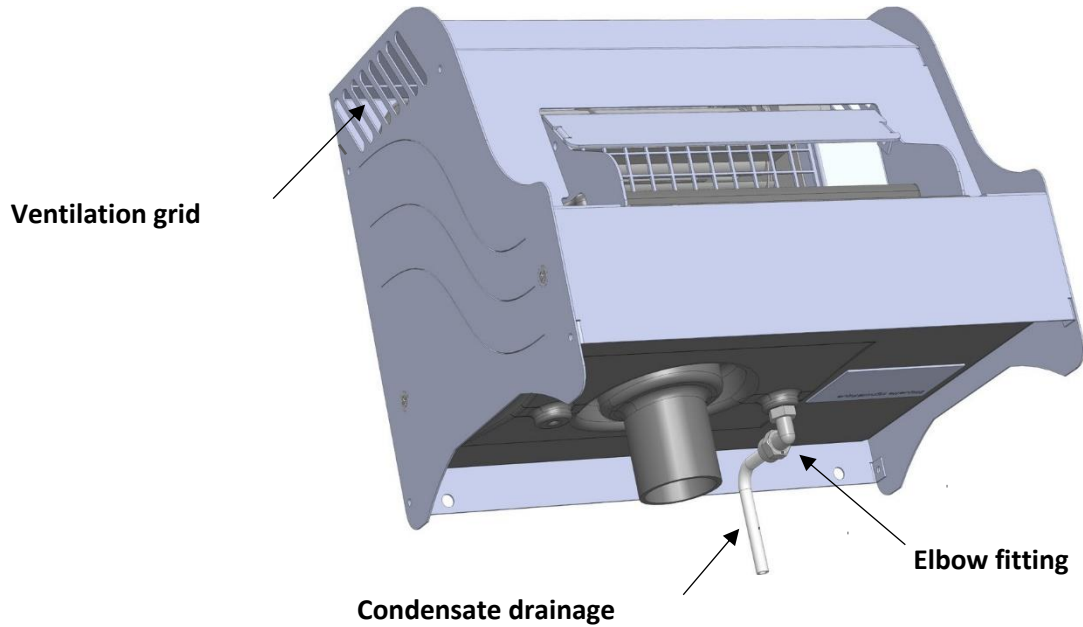


BLOWERPACK

3.4 CONDENSATE DRAIN & ELECTRICAL CONNECTION

Only with the BlowerPack 30, it is necessary to connect the condensate drain to the wastewater (fig. 10.1).

Fig. 10.1



Connecting the BlowerPack to the DIN rail of the electric humidifier (fig. 10.2)

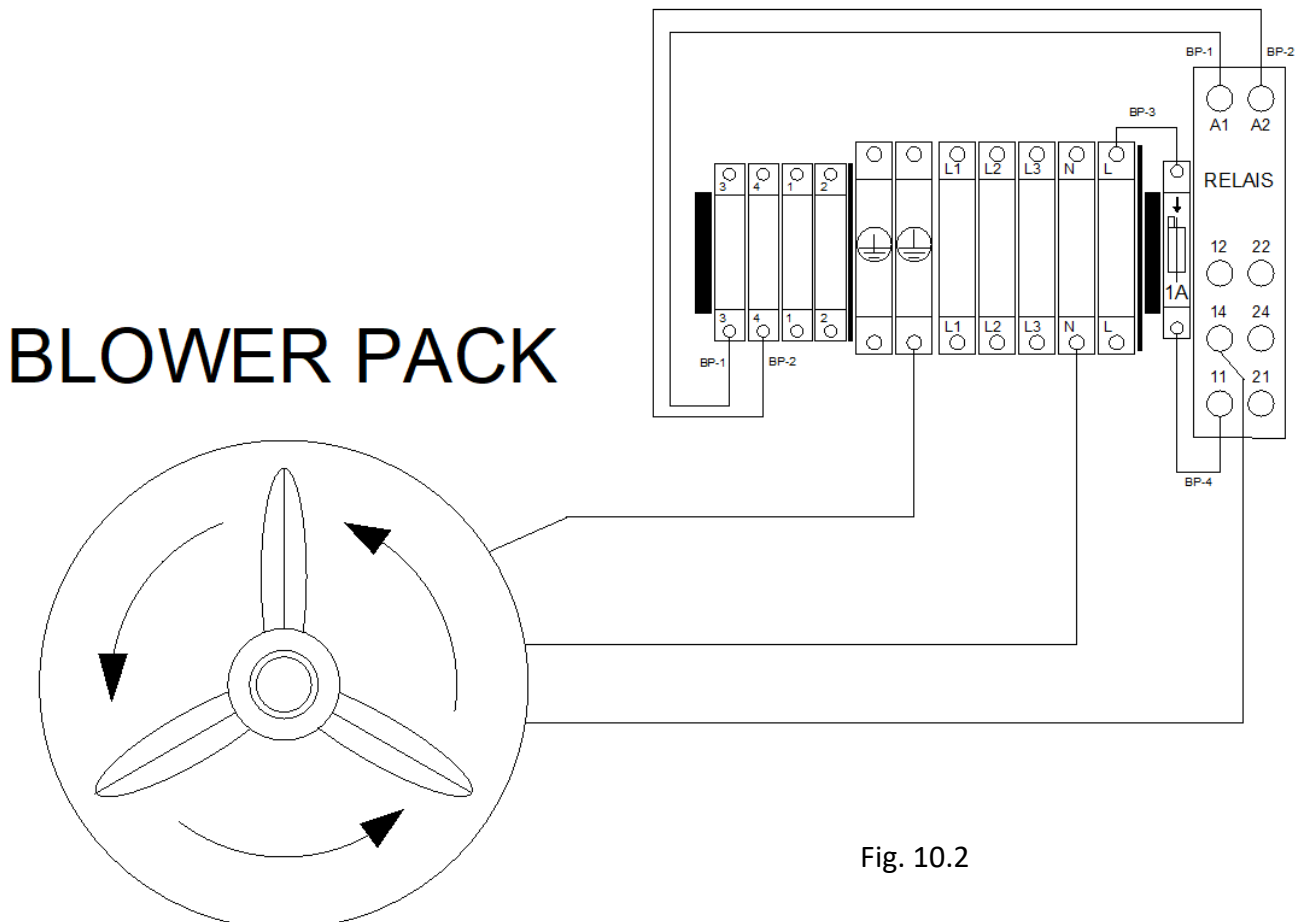


Fig. 10.2

BLOWERPACK

4. COMMISSIONING

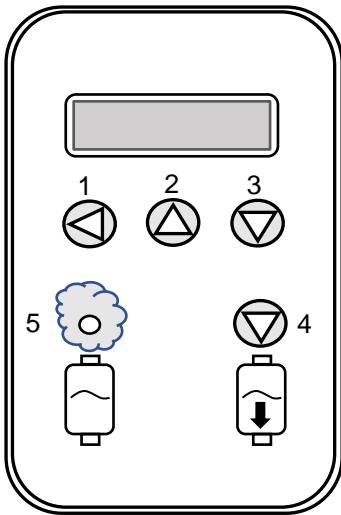
4.1 PROCEDURE FOR ENTERING YOUR ACCESS CODE FOR ELMC HUMIDIFIERS

For RTH humidifiers: simply connect the BlowerPack cable to terminals 3 & 4 of the DIN rail (fig. 10.2)

It is imperative that the function of terminals 3 & 4 on your humidifier is properly configured. by activating the function "TERMINAL 3-4 (230V) ROOM VENTIL." in menu 152.

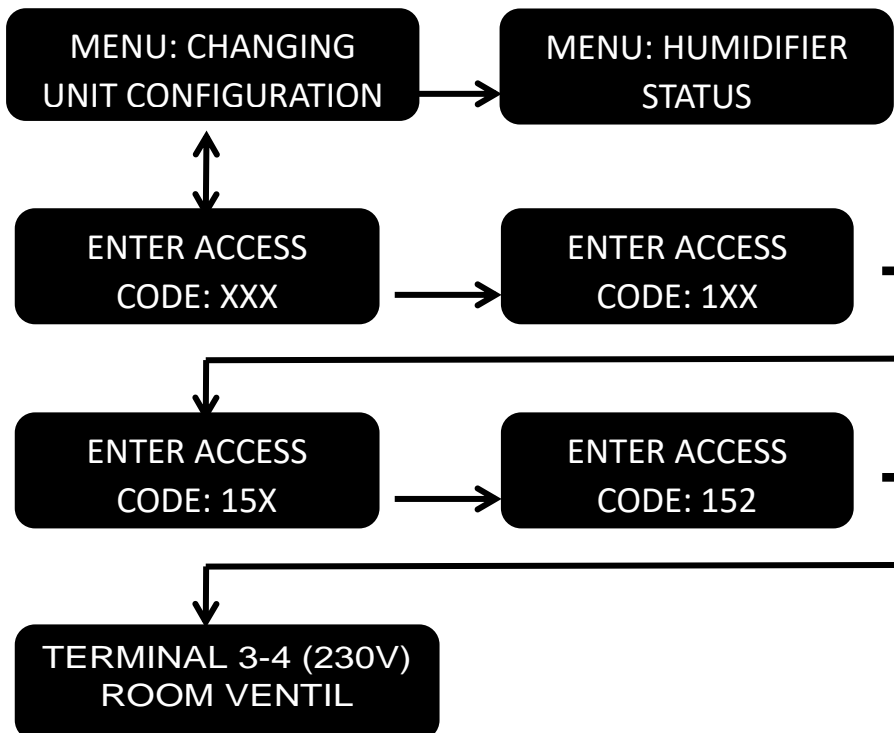
Once in the menu, use the arrows to access the desired sub-menu and select the following parameter: "TERMINALS 3-4 (230V) ROOM VENTIL.", your BlowerPack is ready for use.

Procedure for activating the fan unit mode



Procedure for entering your access code :

- Press key 1, the first cross flashes
- Press the 2 or 3 key to change the number
- Once you have reached the desired digit of your code, press the 1 key to confirm, the second cross will flash.
- Proceed in the same way for the following digits, and do not forget to validate your code by pressing the 1 key.



BLOWERPACK

5. MAINTENANCE

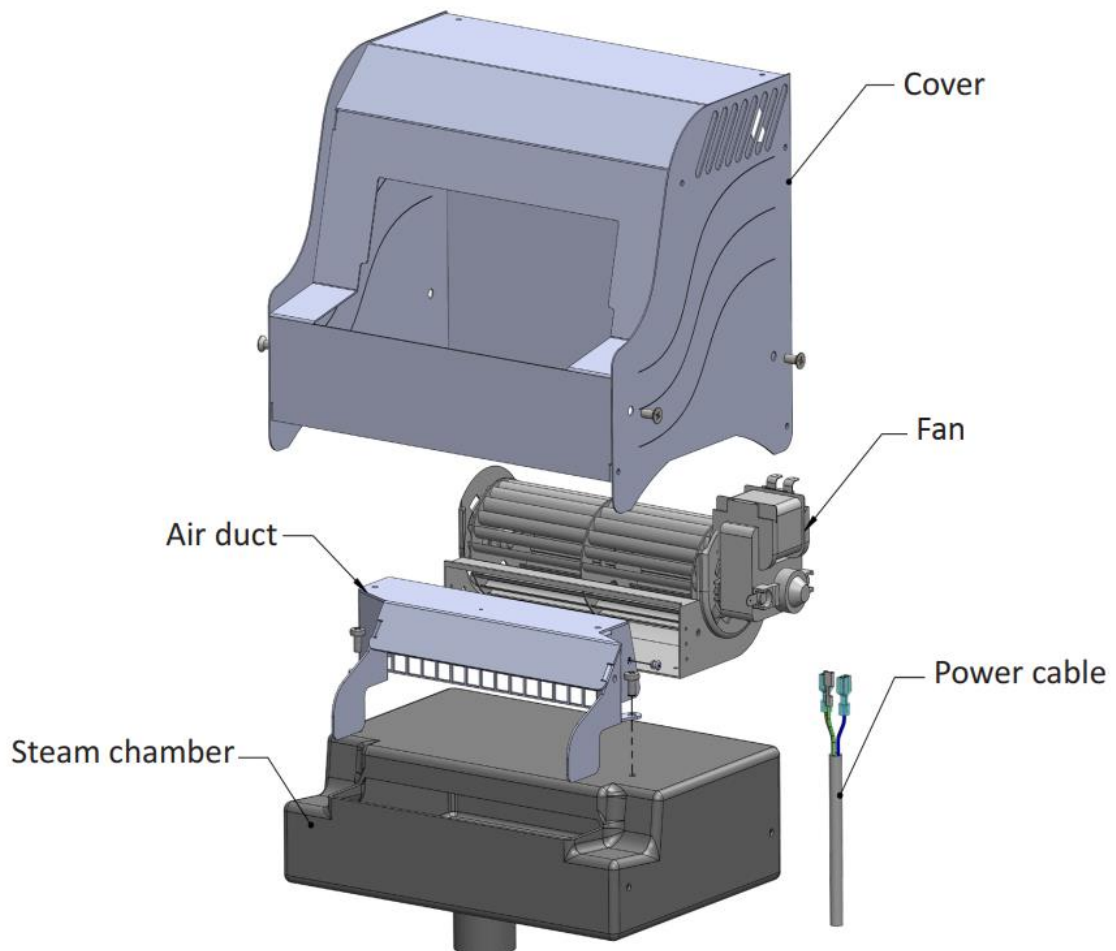
5.1 DISASSEMBLY & CLEANING



Before each season: make sure that all ventilation grilles and condensate hose are not clogged by dust or other thing (fig. 10.1).

If necessary, the BlowerPack can be opened to gain access to individual components. To do this, proceed as follows:

- Switch off the BlowerPack and steam humidifier and disconnect them from the power grid.
- Unscrew the 2 screws on each side of the outer casing and remove it.
- Clean up any accumulated dust with a brush if necessary.
- Replace the cover and screw in the 2 screws located on each side of the unit.



BLOWERPACK

6. TROUBLESHOOTING

Few operational problems should occur with the BlowerPack.

The assembly is simple and strong, specially designed to ensure optimum operation for many years.

However, some problems may occur if the installation is not done properly:

1. Drops of water are projected out of the device :

- a. For the BlowerPack 30, ensure that the condensate hose and compression elbow fitting have not been accidentally clogged during installation. Check that the silicone hose is not pinched or clogged (fig. 10.1).
- b. Make sure that the unit is installed on a flat and stable place.
- c. Make sure that the steam chamber connection has been properly made and that the clamps are tight. Whenever possible, choose a cylinder with a $\varnothing 40$ mm steam outlet.

2. BlowerPack does not trigger when the humidifier is started:

- a. The BlowerPack may not be connected correctly. Check that the blower pack is connected to terminals 3 and 4 on the DIN rail of the electrical part of the humidifier (*see Chapter 4 - Commissioning*).
- b. Check that the humidifier is correctly set up and that the function "TERMINAL 3-4 (230V) ROOM VENTILATION" in menu 152 is activated (this is normally activated by default).

3. Drops form on the sides of the air duct:

This is normal. On contact with air and metal, the steam condenses and creates drops. These will follow the sides of the duct and fall back into the steam chamber without causing any problems.

4. Steam visible at 2 meters from the BlowerPack

This is normal. When the steam from the nozzle mixes with the colder air, it condenses into microscopic droplets that are carried along in the air stream, producing a visible mist. Very quickly, these droplets are absorbed by the air and the visible steam disappears.



185, Boulevard des Frères Rousseau
76550 Offranville - France

www.devatec.com

Export→ Tel. +33 (0)2 35 83 06 44

Email : export@devatec.com

France→ Tel. +33 (0)2 35 04 61 41

Email : france@devatec.com

Devatec continues to develop its products.

For that reason, characteristics and specifications of the products may change without prior notice.

DT_DEV_BLOWER PACK_EN_REV A.2 - 04/23 Edition - V 6.26.X program version